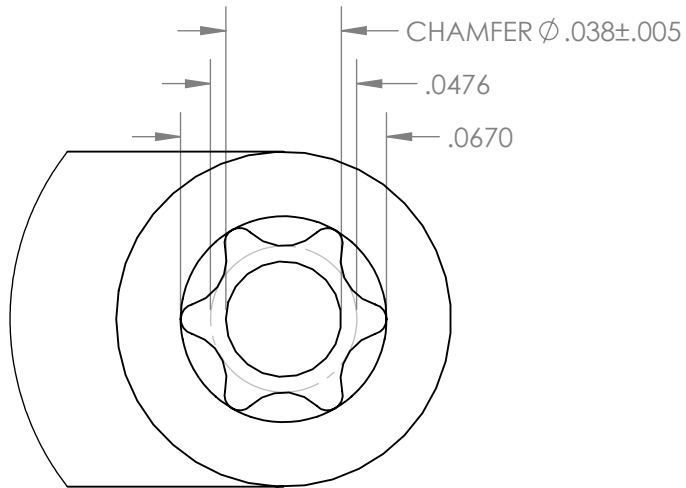
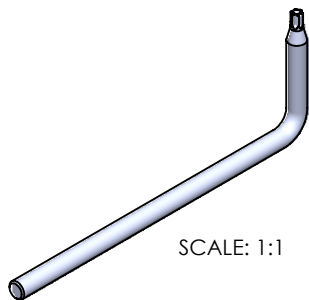


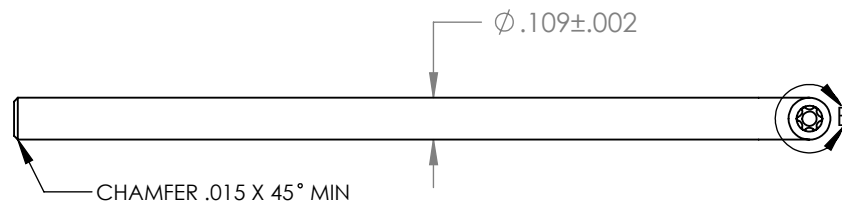
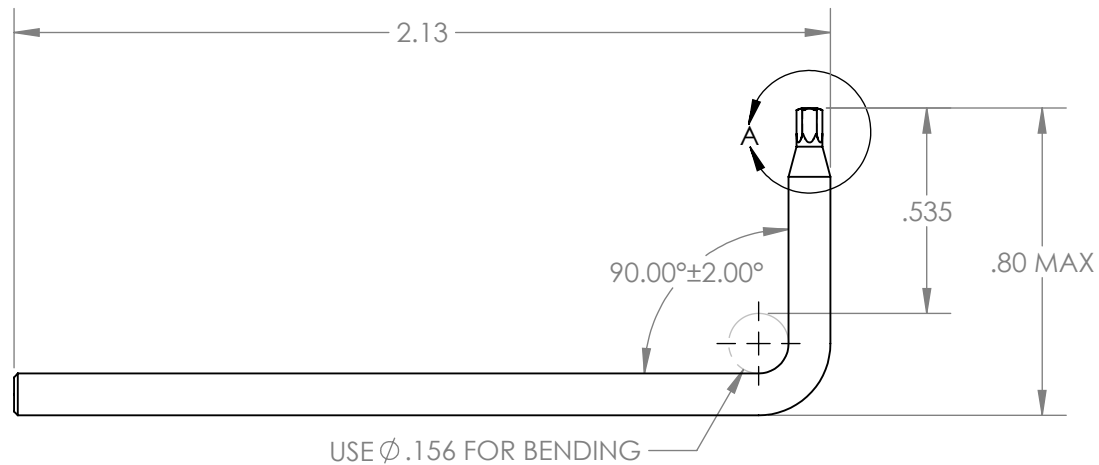
DETAIL A
SCALE 8 : 1



DETAIL B
SCALE 16 : 1



SCALE: 1:1



UNLESS OTHERWISE SPECIFIED: DIMENSIONS ARE IN INCHES			TOLERANCES: X.XX= ±0.13 X.XXX= ±0.015 X.XXXX= -0.002		
DRAWN	NAME	SIGN	DATE		
APPVD	A.T.		04.18.19		
MATERIAL: 465 MAGNETIC S.S.					TITLE: #6 STAR 'L' KEY
THIS DRAWING IS THE PROPERTY OF STERITOOL, INC. ANY REPRODUCTIONS OR MODIFICATIONS OF THIS DRAWING OR ITS CONTENTS WITHOUT THE CONSENT OF STERITOOL, INC. IS PROHIBITED.					PART NO. 10806
					SCALE: 2:1